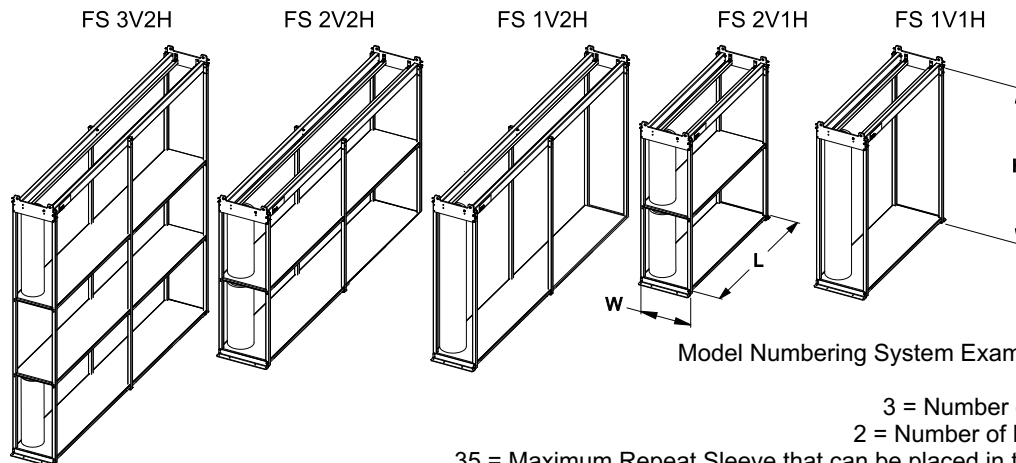




- Sleeve manufacturers recommend storing sleeves vertically so that over time gravity does not cause them to lose roundness. Sleeves that go out of round are difficult or impossible to put on mandrels. **FLEXSTAND** stores sleeves vertically!
- System allows the storage of printing sleeves, bridge mandrels or anilox sleeves of any repeat or inside diameter.
- **FLEXSTAND** allows for sleeve centre distances to be infinitely adjustable to maximize storage efficiency.
- Sleeves are housed inside sturdy racks to protect them from damage.
- Racks are bolted to the floor; access is from both sides of each rack.
- All sleeves can be easily retrieved and are readily identifiable with a magnetic labelling system.
- Sleeves rest on a Gum Rubber pad to prevent damage to the end of the sleeve and stabilize the bottom of the sleeve.
- Racking is of high strength via efficient use of sheet metal shelves and structural steel frames. All steel surfaces are powder coated for corrosion resistance.
- Smooth high gloss powder coated surfaces can easily be wiped down for cleaning.
- System is modular and can be expanded at any time.



Model Numbering System Example: FS3V2H-35
 FS = FlexStand
 3 = Number of Bays Vertically
 2 = Number of Bays Horizontally
 35 = Maximum Repeat Sleeve that can be placed in the rack in inches

FLEXSTAND System Features:

MODEL	LENGTH		HEIGHT	MAX REPEAT		WIDTH	
	in	mm		in	mm	in	mm
FS3V2H	142	3600	Total of Three sleeve widths + 10.5 (270 mm)	30	750	21	530
FS2V2H	142	3600	Total of Two sleeve widths + 6 (150 mm)	35	900	24	610
FS1V2H	142	3600	One Sleeve width = + 6 (150 mm)	40	1000	27	690
FS2V1H	75	1900	Total of Two sleeve widths + 6 (150 mm)	45	1150	30	760
FS1V1H	75	1900	One Sleeve width + 6 (150 mm)	55	1400	37	940

Distributed by:



“Equipment Solutions for the Production of Flexible Packaging”

Flex Essentials Inc., 17769 Centreville Creek Road, Caledon East, ON L7K 2L9 Canada
 Tel: 905-584-6369 E-mail: sales@flexessentials.ca Website: www.flexessentials.ca



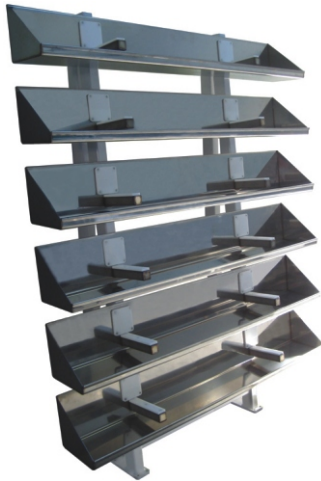
FLEXCARTH Print Sleeve Cart

- built to suit 9 and 11 sleeves
- standard sizes available for maximum 35 inch (900 mm) or 49 inch (1250 mm) repeat sleeves
- Castor design allows cart to turn about it's own centre in order to navigate in tight quarters



FLEXCARTS Sleeve Scrub / Cleaning Cart

- Allows a quick scrub down of an anilox or print sleeve right next to the press or wheel it to a location that is more convenient
- includes two fixed and two swivel, lockable castors
- stainless steel drip tray is resistant to cleaning materials and solvents
- a stainless steel ball valve allows draining of cleaning chemicals into a bucket for ease of disposal
- stainless steel drip tray is easily removed for pressure washing or machine washing



FLEXRACK Doctor Blade Chamber Rack

- designed to store spare doctor blade chambers
- stainless steel compartments/drip trays can individually be removed for pressure washing
- independent washing compartments prevent cross contamination to other chambers



FLEXCARTA Air Shaft Cart

- stores 4 six inch (150 mm) diameter and 4 three inch (75 mm) diameter air shafts
- bottom tray allows the storage of chucks and adaptors
- can be easily wheeled to the unwind or rewinder location
- castor design allows cart to turn about it's own centre in order to navigate in tight quarters

Distributed by:



“Equipment Solutions for the Production of Flexible Packaging”

Flex Essentials Inc., 17769 Centreville Creek Road, Caledon East, ON L7K 2L9 Canada
Tel: 905-584-6369 E-mail: sales@flexessentials.ca Website: www.flexessentials.ca